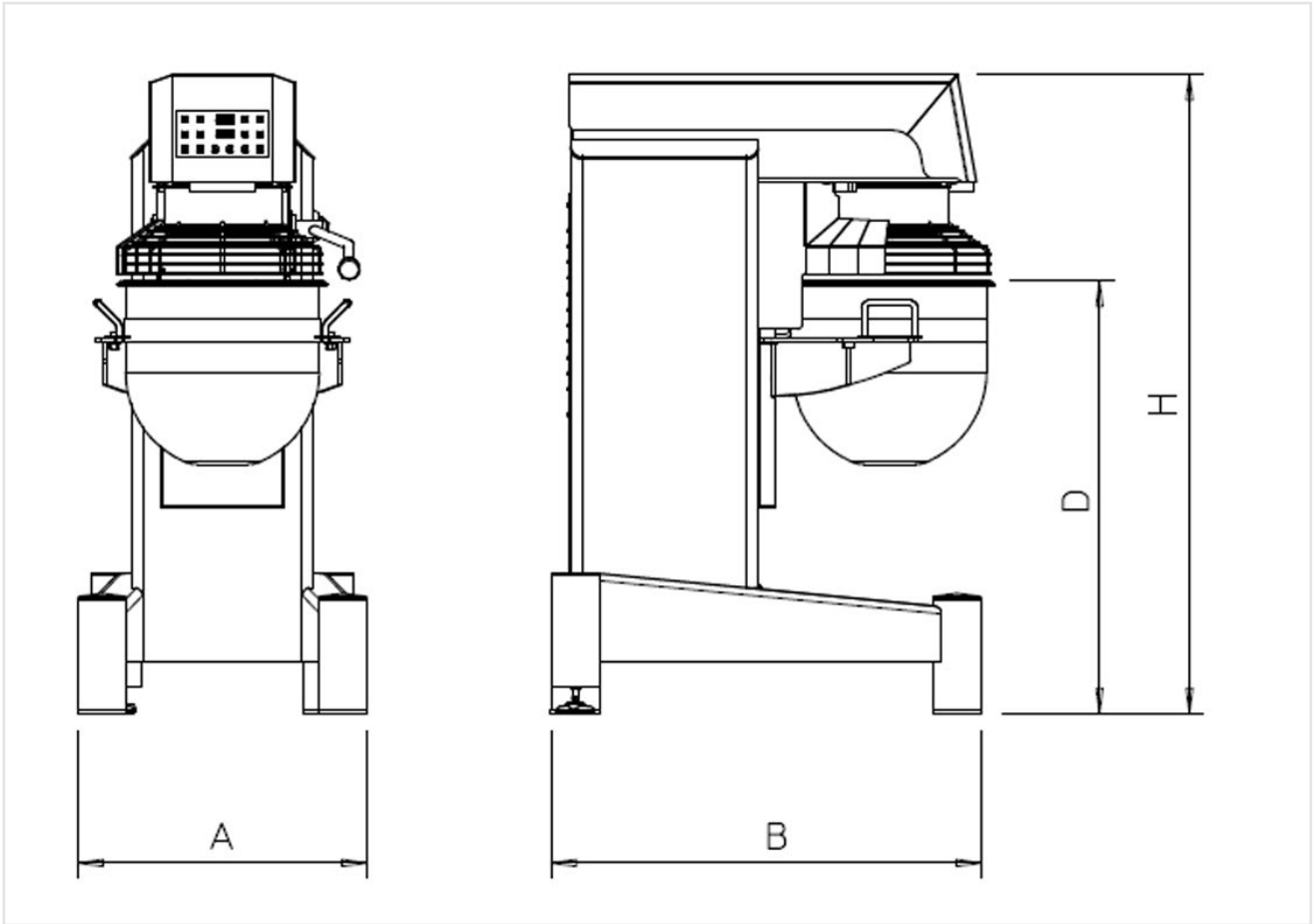


# PLANETARY MIXERS - KING 60 EVO



- New frame optimized to guarantee the biggest ergonomics in the less possible space occupied
- Standard colour: grey RAL 9007
- Painted steel top cover
- Manual tank lift
- Safety protection grid made by stainless steel
- Adjustable foot that improve the stability
- Very powerful motor able to high performance to satisfy also the most exigent customer
- Belts transmission, very noiseless and free of maintenance
- Standard: whisk, spatula and spiral



MODELLO MODEL	VASCA Bowl Lt.	VELOCITÀ Speed rpm/1'	POTENZA Power kW	DIMENSIONI Dimensions mm				PESO Weight kg	TENSIONE Voltage
				A	B	D	H		
KING evo 60	3V	60	125 - 250 - 500	685	945	895	1400	250	V400/3~/50Hz
	I		100 ÷ 550						

